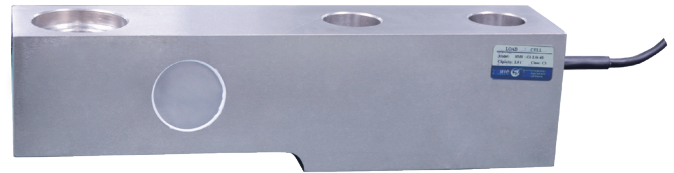


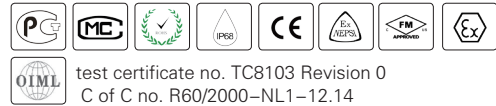
HM8

- Nickel plated alloy steel IP68 shear beam load cell
- Hermetically sealed
- Suitable for truck, track, hopper and other electronic weighing devices



Available models

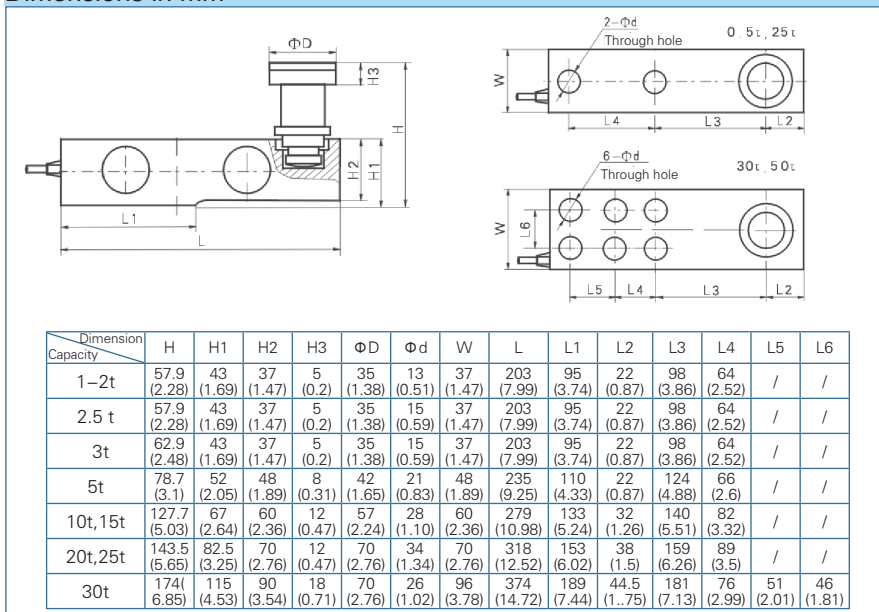
Capacity	Accuracy	Full article description
1t	C3 Excluded from OIML	HM8-C3-1t-6.5B6
2t	C3 Excluded from OIML	HM8-C3-2t-6.5B6
2.5t	C3 Excluded from OIML	HM8-C3-2.5t-6.5B6
3t	C3 Excluded from OIML	HM8-C3-3t-6.5B6
5t	C3	HM8-C3-5t-6.5B6
10t	C3	HM8-C3-10t-6.5B6
15t	C3	HM8-C3-15t-6.5B6
20t	C3	HM8-C3-20t-6.5B6
25t	C3 Excluded from OIML	HM8-C3-25t-6.5B6
30t	C3 Excluded from OIML	HM8-C3-30t-6.5B6



Specification

Accuracy class		C3	OIML R60 C3
Output sensitivity (= FS)	mV/V	2.0 ± 0.002	
Maximum capacity (E _{max})	t	1, 2, 2.5, 3, 30	5, 10, 15, 20, 25
Maximum number of load cell intervals (nLC)		3000	
Ratio of minimum LC verification interval Y = E _{max} / v _{min}		10000	15000
Combined error	%FS	± 0.020	
Minimum dead load	of E _{max}	0%	
Safe overload	of E _{max}	150 %	
Ultimate overload	of E _{max}	300 %	
Zero balance	%FS	± 1.0	
Excitation, recommended voltage	V	5 ~ 12(DC)	
Excitation maximum	V	18(DC)	
Input resistance	Ω	400 ± 5	
Output resistance	Ω	352 ± 3.0	
Insulation resistance	MΩ	≥ 5000 (50VDC)	
Compensated temperature	°C	-10 ~ +40	
Operating temperature	°C	-35 ~ +65	
Storage temperature	°C	-40 ~ +70	
Element material		Nickel plated alloy steel	
Ingress protection (acc. To EN 60529)		IP68	
Recommended torque on fixation	N.m	M12: 100 M14:120 M20:500 M27:1075 M33:1975	
ATEX classification (optional)		II1G Ex ia IIC T4	II1D Ex iaD 20 T73°C C II3G Ex nL IIC T4

Dimensions in mm



Wiring

